

CTI-DTW FOUR DIGIT THUMBWHEEL ASSEMBLY

04-28-2021 DOC: 32-DTW-Series

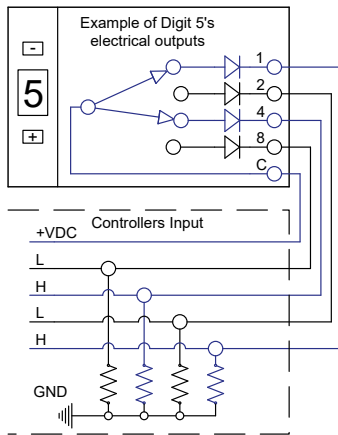
Part Number: 32-DTW-4A10-01

This CTI Digit Thumbwheel Assembly is configured with four independent push-wheel switches. These switches have 10 positions displaying easy to read digits, 0 thru 9. The electrical outputs are configured to provide BCD data (binary-coded decimal) to programmable controllers and PLC's. Quick disconnecting terminal blocks allow for fast connections and rapid system maintenance. Multiple wheel assemblies can be multiplexed using the onboard data line connectors and optional cable assemblies.



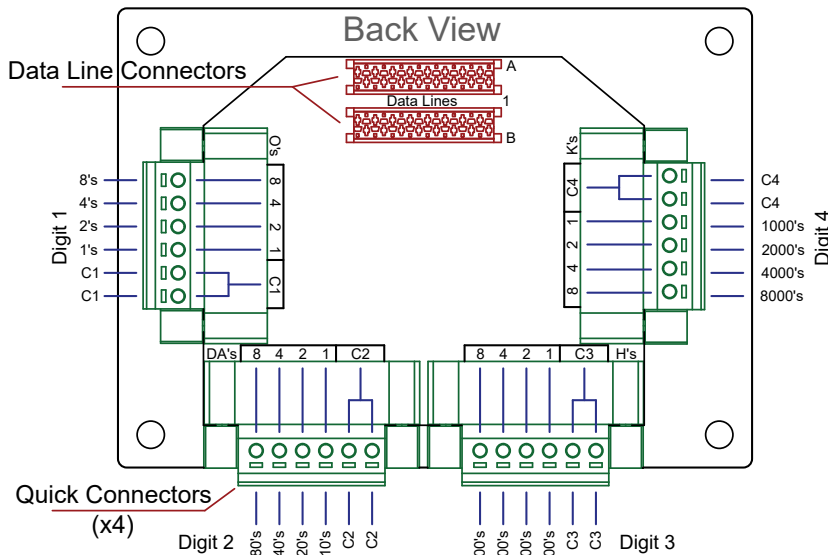
Output Table per Digit					
Connector Terminal					
	C	1	2	4	8
Digits	0				
1	●				
2			●		
3	●		●		
4				●	
5	●			●	
6			●	●	
7	●	●	●	●	
8					●
9	●				●

● Solid dot indicates terminal output is connected to corresponding connector's C(#) terminal



Connector A & B, Pin Out		
1	1000's	Digit 4
2	2000's	Digit 4
3	4000's	Digit 4
4	8000's	Digit 4
5	100's	Digit 3
6	200's	Digit 3
7	400's	Digit 3
8	800's	Digit 3
9	10's	Digit 2
10	20's	Digit 2
11	40's	Digit 2
12	80's	Digit 2
13	1's	Digit 1
14	2's	Digit 1
15	4's	Digit 1
16	8's	Digit 1

How to read the output table: example, when the dial position is set to "5", the common terminal C on the switch is connected to terminals 1 and 4.



Board to board cable for cascaded systems, 200mm long.
Part Number: 48-BTB-16pos-Cable-200

Precautions for correct use.

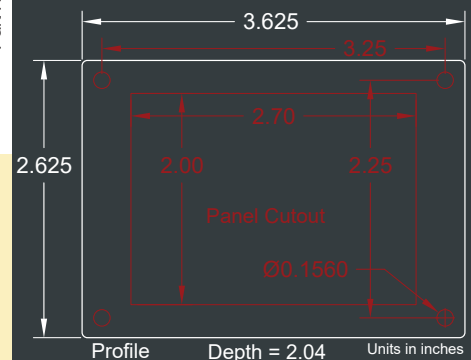
CTI-DTW thumbwheel switches are dust-proof, but they are not drip proof. Protect from water or oil exposure. These thumbwheel switches use polyacetal resin and ABS resin. It is recommended that alcohol is used to clean off dirt and smudges. Take care to prevent the alcohol from getting inside. Do not push the (+) and (-) push buttons at the same time.

- Positions: 0 to 9
- Code: BCD 1-2-4-8
- Diode Isolated Outputs
- Independent, Dual Commons for each Digit
- Quick Disconnecting, Terminal Blocks
- Data Connectors for Cascaded Systems
- "1" Logic Level (High Signal)

Specifications

- Character height: 0.27"
- Switching capacity (resistive load) 3.3 to 28 VDC 10 μ A to 0.15A
- Contact resistance: 300 m Ω max.
- Vibration resistance: 10 to 55 Hz, 1.5-mm double amplitude for 2 hours min.
- Shock resistance: 490 m/s² min.
- Durability, electrical: 1,000,000 operations.
- Operating temperature: -10°C to 65°C
- Operating humidity: 45% to 85%
- Max operating force: 6.37 N max

Panel Cutout



1.800.621.8754
503.620.2285
Fax: 503.620.8580
sales@cyber-tech.net

www.cyber-tech.net
Established 1982

CTI-DTW FOUR DIGIT THUMBWHEEL ASSEMBLY

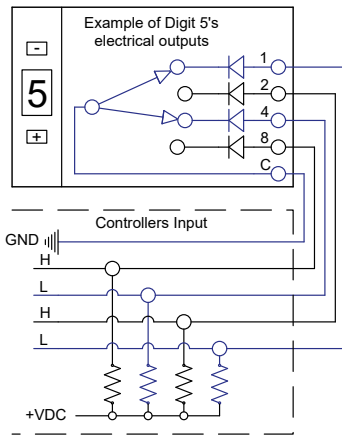
04-28-2021 DOC: 32-DTW-Series

Part Number: 32-DTW-4A00-01 ("0" Logic Level Low)
 This CTI Digit Thumbwheel Assembly is configured with four independent push-wheel switches. These switches have 10 positions displaying easy to read digits, 0 thru 9. The electrical outputs are configured to provide BCD data (binary-coded decimal) to programmable controllers and PLC's. Quick disconnecting terminal blocks allow for fast connections and rapid system maintenance. Multiple wheel assemblies can be multiplexed using the onboard data line connectors and optional cable assemblies.



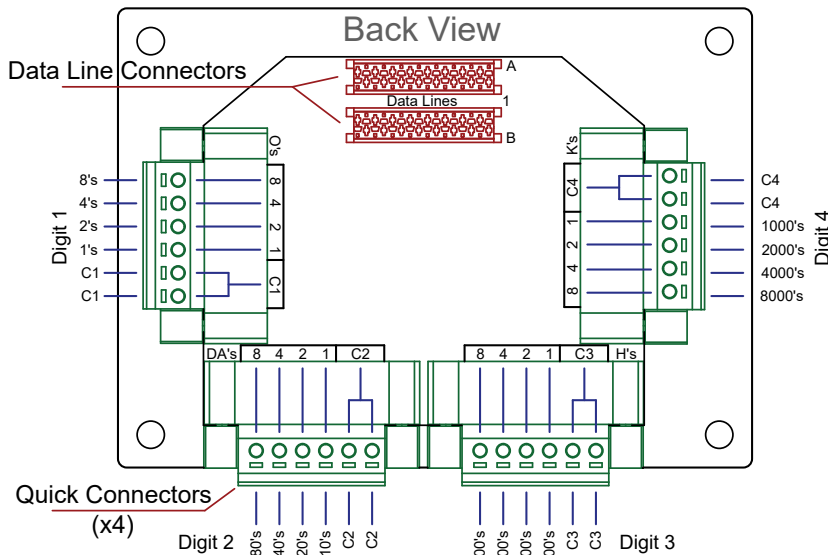
Output Table per Digit	
Connector Terminal	
Digits	C 1 2 4 8
0	
1	●
2	
3	● ●
4	
5	● ●
6	● ● ●
7	● ● ● ●
8	
9	● ●

● Solid dot indicates terminal output is connected to corresponding connector's C(#) terminal



Connector A & B, Pin Out		
1	1000's	Digit 4
2	2000's	Digit 4
3	4000's	Digit 4
4	8000's	Digit 4
5	100's	Digit 3
6	200's	Digit 3
7	400's	Digit 3
8	800's	Digit 3
9	10's	Digit 2
10	20's	Digit 2
11	40's	Digit 2
12	80's	Digit 2
13	1's	Digit 1
14	2's	Digit 1
15	4's	Digit 1
16	8's	Digit 1

How to read the output table: example, when the dial position is set to "5", the common terminal C on the switch is connected to terminals 1 and 4.



Board to board cable for cascaded systems, 200mm long.
 Part Number: 48-BTB-16pos-Cable-200

Precautions for correct use.

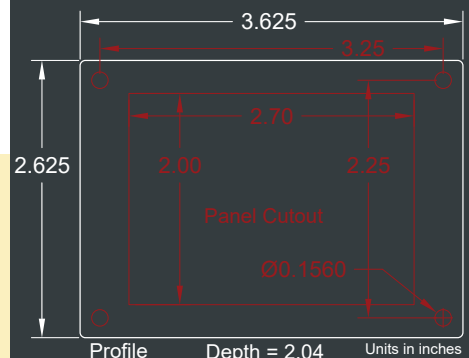
CTI-DTW thumbwheel switches are dust-proof, but they are not drip proof. Protect from water or oil exposure. These thumbwheel switches use polyacetal resin and ABS resin. It is recommended that alcohol is used to clean off dirt and smudges. Take care to prevent the alcohol from getting inside. Do not push the (+) and (-) push buttons at the same time.

- Positions: 0 to 9
- Code: BCD 1-2-4-8
- Diode Isolated Outputs
- Independent, Dual Commons for each Digit
- Quick Disconnecting, Terminal Blocks
- Data Connectors for Cascaded Systems
- "0" Logic Level (Low Signal)

Specifications

- Character height: 0.27"
- Switching capacity (resistive load): 3.3 to 28 VDC 10 μ A to 0.15A
- Contact resistance: 300 m Ω max.
- Vibration resistance: 10 to 55 Hz, 1.5-mm double amplitude for 2 hours min.
- Shock resistance: 490 m/s² min.
- Durability, electrical: 1,000,000 operations.
- Operating temperature: -10°C to 65°C
- Operating humidity: 45% to 85%
- Max operating force: 6.37 N max

Panel Cutout



1.800.621.8754
 503.620.2285
 Fax: 503.620.8580
 sales@cyber-tech.net

www.cyber-tech.net
 Established 1982